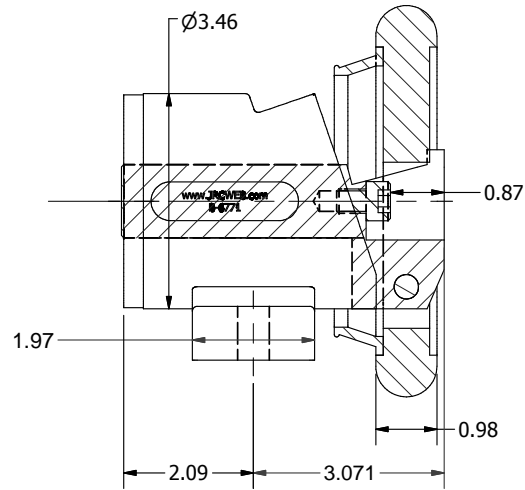
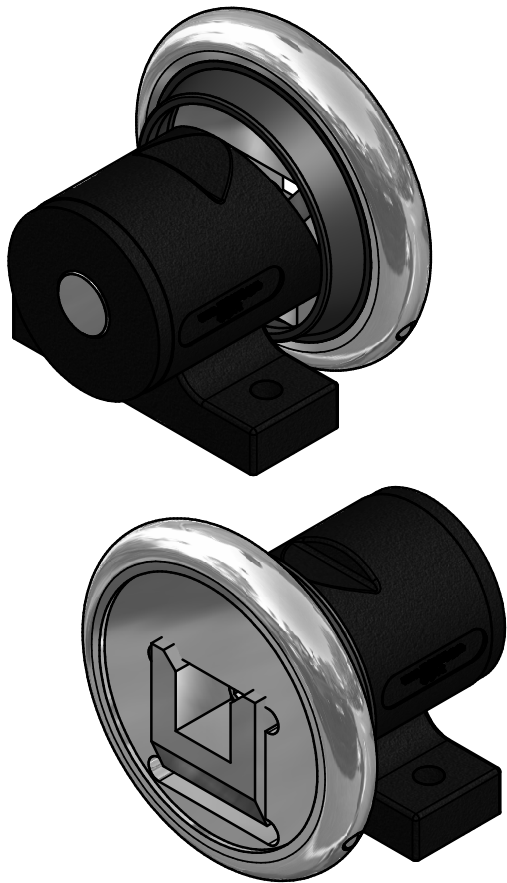


<b>UNLESS OTHERWISE SPECIFIED</b>		<b>JRC WEB ACCESSORIES</b>	
ALL DIAMETERS TO BE CONCENTRIC WITHIN 0.003		46 PASSAIC AVENUE FAIRFIELD, NJ 07004	
REMOVE ALL BURRS & SHARP EDGES	125 ✓	TITLE	
		<b>SAFETY CHUCK - FOOT MOUNTED - 1-1/4" SQUARE - NO SHAFT</b>	
CUSTOMER	DIMENSION	TOLERANCE ±	SIZE   DATE   DWG NO   REV
FINISH NONE	FRACTIONAL	1/64	B     B-6771
MATERIAL	ANGULAR	0.5°	
	X.XX	0.010	SCALE
	X.XXX	0.005	DRAWN
REFERENCE DRAWING	X.XXXX	0.0005	SHEET 1 OF 2



**UNLESS OTHERWISE SPECIFIED**

ALL DIAMETERS TO BE  
CONCENTRIC WITHIN 0.003

REMOVE ALL BURRS  
& SHARP EDGES

125 ✓

**JRC WEB ACCESSORIES**

46 PASSAIC AVENUE FAIRFIELD, NJ 07004

TITLE

**SAFETY CHUCK - FOOT MOUNTED -  
1-1/4" SQUARE - NO SHAFT**

CUSTOMER	DIMENSION	TOLERANCE ±
FINISH NONE	FRACTIONAL	1/64
MATERIAL	ANGULAR	0.5°
	X.XX	0.010
	X.XXX	0.005
REFERENCE DRAWING	X.XXXX	0.0005

SIZE	DATE	DWG NO	REV
B		B-6771	
SCALE	DRAWN	SHEET 2	OF 2