

SECTION C-C  
SCALE 2 : 1

**UNLESS OTHERWISE SPECIFIED**

ALL DIAMETERS TO BE  
CONCENTRIC WITHIN 0.003

REMOVE ALL BURRS  
& SHARP EDGES

125 ✓

**JRC WEB ACCESSORIES**

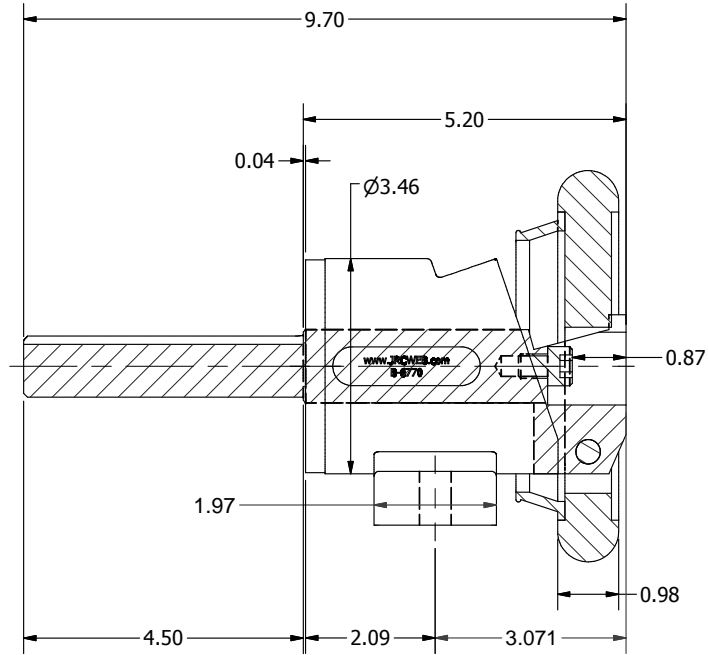
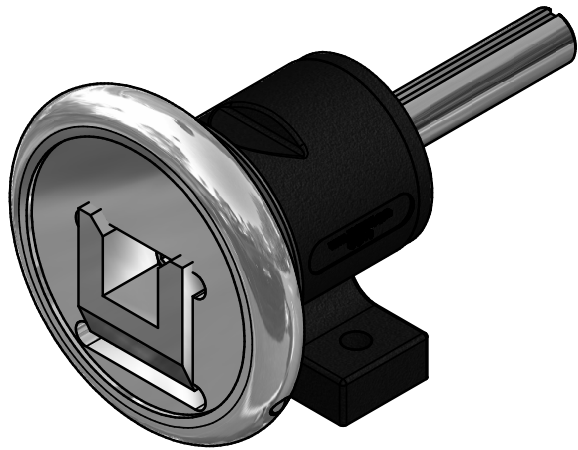
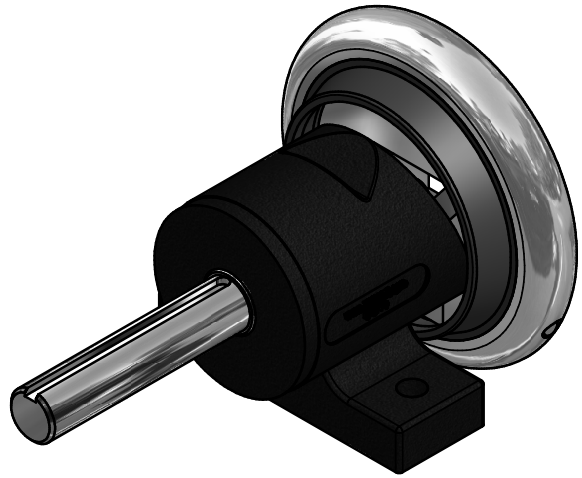
46 PASSAIC AVENUE FAIRFIELD, NJ 07004

TITLE

**SAFETY CHUCK - FOOT MOUNTED -  
1-1/4" SQUARE - 1.000" SHAFT**

CUSTOMER	DIMENSION	TOLERANCE ±
FINISH NONE	FRACTIONAL	1/64
MATERIAL	ANGULAR	0.5°
REFERENCE DRAWING	X.XX	0.010
	X.XXX	0.005
	X.XXXX	0.0005

SIZE	DATE	DWG NO	REV
B		B-6770	
SCALE	DRAWN	SHEET 1	OF 2



**UNLESS OTHERWISE SPECIFIED**

ALL DIAMETERS TO BE

CONCENTRIC WITHIN 0.003

REMOVE ALL BURRS  
& SHARP EDGES

125 ✓

**JRC WEB ACCESSORIES**

46 PASSAIC AVENUE FAIRFIELD, NJ 07004

TITLE

**SAFETY CHUCK - FOOT MOUNTED -  
1-1/4" SQUARE - 1.000" SHAFT**

CUSTOMER	DIMENSION	TOLERANCE ±
FINISH NONE	FRACTIONAL	1/64
MATERIAL	ANGULAR	0.5°
	X.XX	0.010
	X.XXX	0.005
REFERENCE DRAWING	X.XXXX	0.0005

SIZE	DATE	DWG NO	REV
B		B-6770	
SCALE	DRAWN	SHEET 2	OF 2