

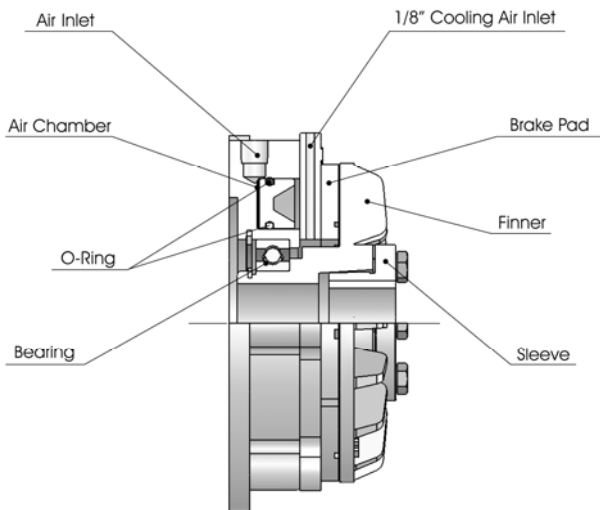
NAB pneumatic brakes are designed for dry use. The pressure supply is fed into the cylinder via a flexible tube. Positive disengagement is achieved by the use of return springs.

● Features

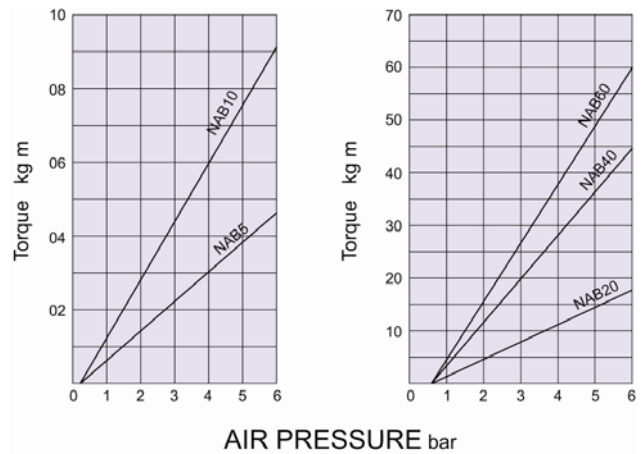
- Sealed cylinder ensures low air consumption.
- Torques can be varied by regulating the supply pressure.
- Speed of engagement can be controlled by varying the supply flow rate.
- Single friction face design virtually eliminates drag torque
- Axial thrusts are contained within the unit



● Basic construction



● Torque versus Pressure



● Heat Dissipation

