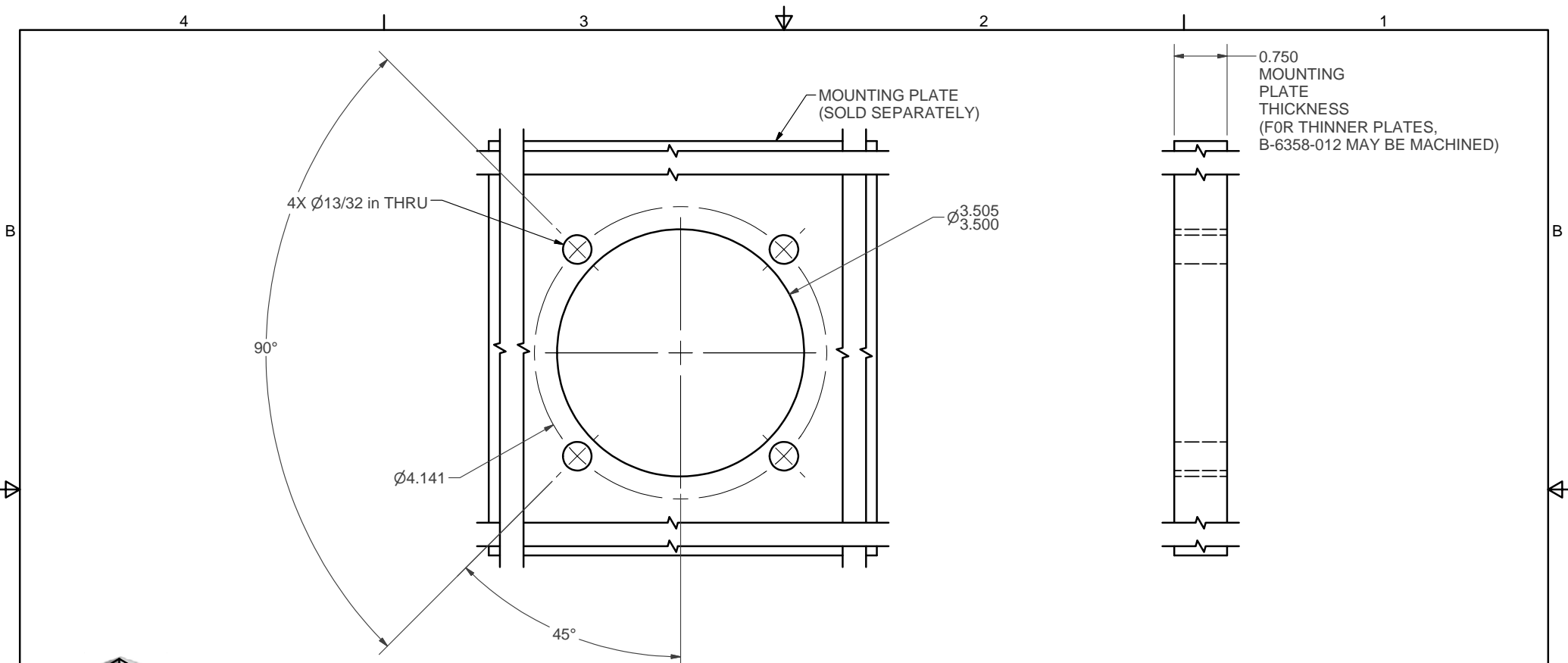


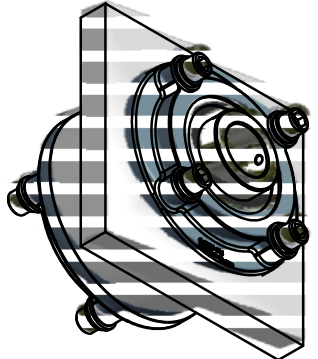
Parts List			
ITEM	QTY	PART NUMBER	DESCRIPTION
1	1	B-6358-012	BEARING BOSS
2	1	Q-2701-012	0.75" THICK MOUNTING PLATE (SOLD SEPARATELY)
3	8	ANSI B18.22.1-1965, R1990	Type A Plain Washer
4	8	ANSI-ASME B18.21.1-1990	Helical Spring Lock Washer
5	8	SHCS-English-UNC	*Varies*
6	2	Q-2700-014	PILLOW BLOCK BEARING UNIT FOR Ø1-1/4 SHAFT

UNLESS OTHERWISE SPECIFIED		
ALL DIAMETERS TO BE CONCENTRIC WITHIN 0.003		
REMOVE ALL BURRS & SHARP EDGES	125	✓
CUSTOMER	DIMENSION	TOLERANCE ±
CUSTOMER	FRACTIONAL	1/64
FINISH	ANGULAR	0.5°
VARIOUS	X.XX	0.010
MATERIAL	X.XXX	0.005
	X.XXXX	0.0005
REFERENCE DRAWING	Q-2700-014	

JRC WEB ACCESSORIES			
46 PASSAIC AVENUE FAIRFIELD, NJ 07004			
TITLE			
PILLOW BLOCK ASSEMBLY FOR Ø1-1/4" MOUNTING SHAFT			
SIZE	DATE	DWG NO	REV
B		Q-2878-014	
SCALE	DRAWN	SHEET 1	OF 2



MOUNTING PLATE REQUIREMENTS



UNLESS OTHERWISE SPECIFIED	
ALL DIAMETERS TO BE CONCENTRIC WITHIN 0.003	
REMOVE ALL BURRS & SHARP EDGES	125 ✓

JRC WEB ACCESSORIES
46 PASSAIC AVENUE FAIRFIELD, NJ 07004

CUSTOMER	DIMENSION	TOLERANCE ±
CUSTOMER	FRACTIONAL	1/64
FINISH	ANGULAR	0.5°
VARIOUS	X.XX	0.010
MATERIAL	X.XXX	0.005
REFERENCE DRAWING	X.XXXX	0.0005
Q-2700-014		

TITLE			
PILLOW BLOCK ASSEMBLY FOR Ø1-1/4" MOUNTING SHAFT			
SIZE	DATE	DWG NO	REV
B		Q-2878-014	
SCALE	DRAWN	SHEET 2	OF 2