

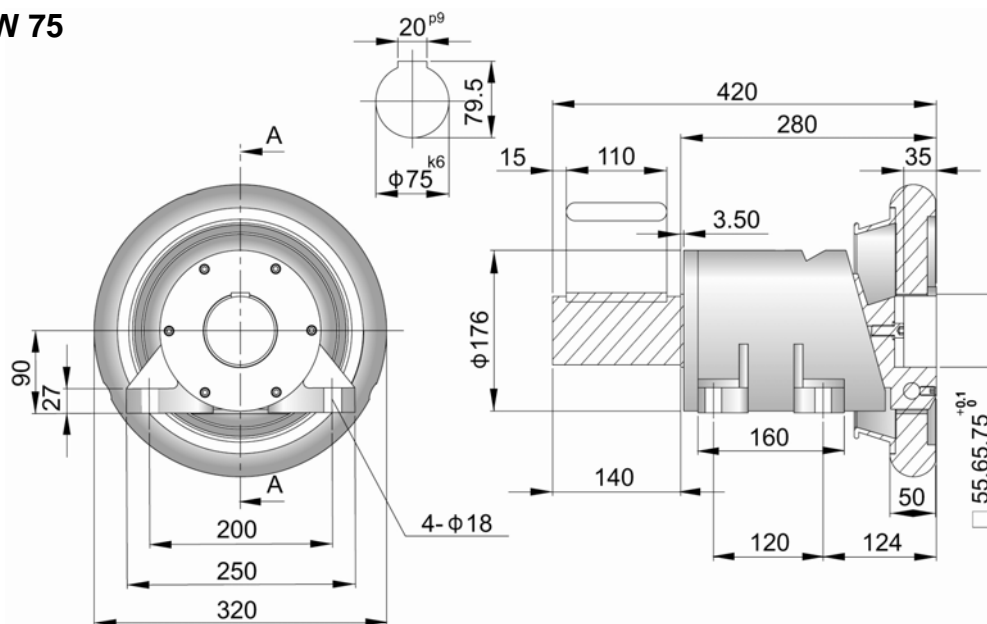
|                          |             |
|--------------------------|-------------|
| Size                     | PIO/W 75    |
| Maximum load             | 7000 KG     |
| Maximum torque allowed   | 235 kg m    |
| Standard square bar size | 55 65 75 mm |
| Unit Weight              | 100 kg      |



Our standard shaft diameter is Ø75 length 140 MM and can modify to meet your requirement

## DIMENSION

### PIO / PIW 75



NIIKA Limited reserves the right to modify or change the design without prior notice.

### NEW TYPE: 45 DEGREE ENTRY AVAILABLE

- HIGHT SPEED WITHOUT NOISY
- EASY LOADING OF SHAFT

