

PIO/W 35

Pillow block and Flange chucks

NIKA®

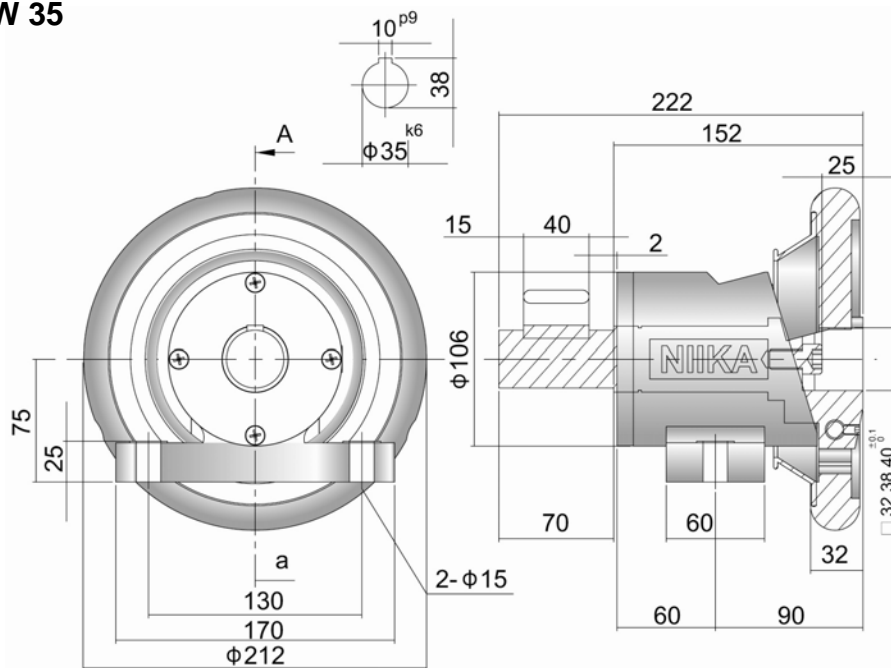
Size	PIO/W 35-
Maximum load	1600 KG
Maximum torque allowed	35 kg m
Standard square bar size	32 38 40 mm
Unit Weight	27 kg



Our standard shaft diameter is Ø35 length 70 MM and can modify to meet your requirement

APPROXIMATE DIMENSION

PIO / PIW 35



NIKA Limited reserves the right to modify or change the design without prior notice.