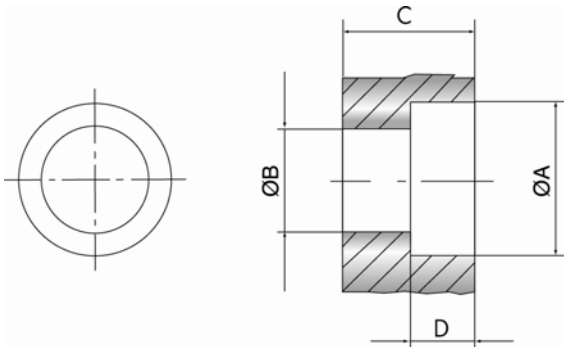


On customers request we are manufacturing the countersinks for flange mounted chucks as follows:



SIZE	φA	φB	C	D
FLOW 28	18	11	15	7
FLOW 35	20	13	16	8
FLOW 50	26	18	22	10.5

● Assembly instruction

In order to protect your chucks against increased wear it is necessary to have a perfect alignment of the chucks. Any misalliance of the unit cuts down on the life of your shaft and safety chuck. The factory cannot provide any warranty if the chucks are not mounted as we recommend.

