

FLOW 28

Pillow block and Flange chucks

NIIKA®

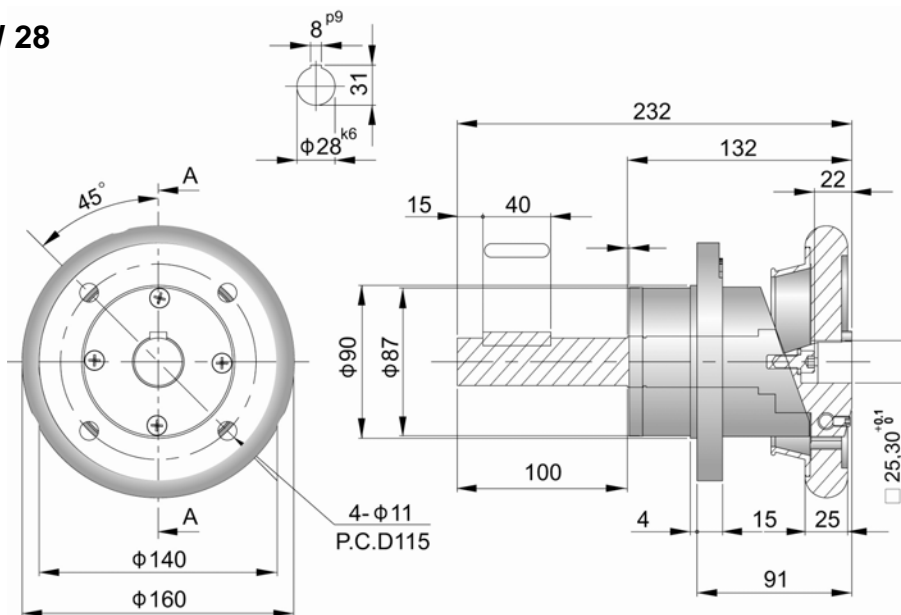
Size	FLOW 28
Maximum load	800 KG
Maximum torque allowed	18 kg m
Standard square bar size	25 30 mm
Unit Weight	18 kg



Our standard shaft diameter is Ø28 length 100 MM and can modify to meet your requirement

APPROXIMATE DIMENSION

FLO / FLW 28



NIIKA Limited reserves the right to modify or change the design without prior notice.