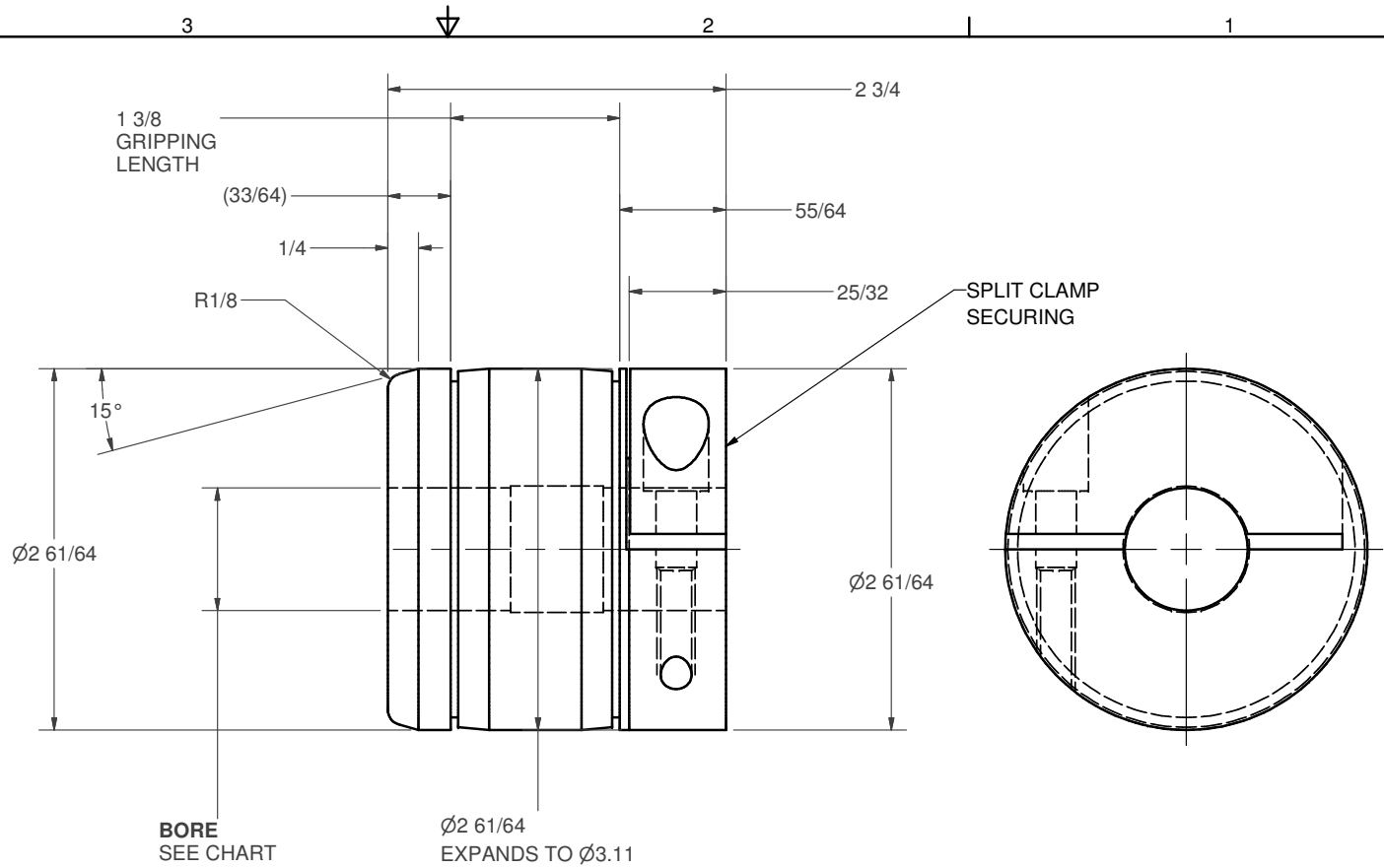


| Part # | BORE ^{+0.002} _{-0.000} (inches) | BORE ^{+0.05} _{-0.000} (mm) |
|------------|--|---|
| Q-3237-001 | 0.752 | |
| Q-3237-002 | 0.877 | |
| Q-3237-003 | 1.002 | |
| Q-3237-004 | 1.127 | |
| Q-3237-005 | 1.252 | |
| Q-3237-006 | 1.377 | |
| Q-3237-007 | 1.502 | |
| Q-3237-008 | 1.627 | |
| Q-3237-009 | 1.752 | |
| Q-3237-010 | | 25.05 |
| Q-3237-011 | | |
| Q-3237-012 | | |



- NOTES:
 1. SUITABLE FOR CARDBOARD AND PLASTIC CORES
 2. APPROXIMATE WEIGHT 5#

UNLESS OTHERWISE SPECIFIED
 ALL DIAMETERS TO BE CONCENTRIC WITHIN 0.003
 REMOVE ALL BURRS & SHARP EDGES

JRC WEB ACCESSORIES
 46 PASSAIC AVENUE FAIRFIELD, NJ 07004

| CUSTOMER | DIMENSION | TOLERANCE ± |
|-------------------|------------|-------------|
| FINISH | FRACTIONAL | 1/64 |
| VARIABLE | ANGULAR | 0.5° |
| MATERIAL | X.XX | 0.010 |
| | X.XXX | 0.005 |
| REFERENCE DRAWING | X.XXXX | 0.0005 |

| | | |
|---|-------|--------------|
| TITLE | | |
| MECHANICAL CHUCK - 3" ID CORES - NEF SERIES | | |
| SIZE | DATE | REV |
| B | | |
| DWG NO | | |
| Q-3237 | | |
| SCALE | DRAWN | SHEET 1 OF 1 |