

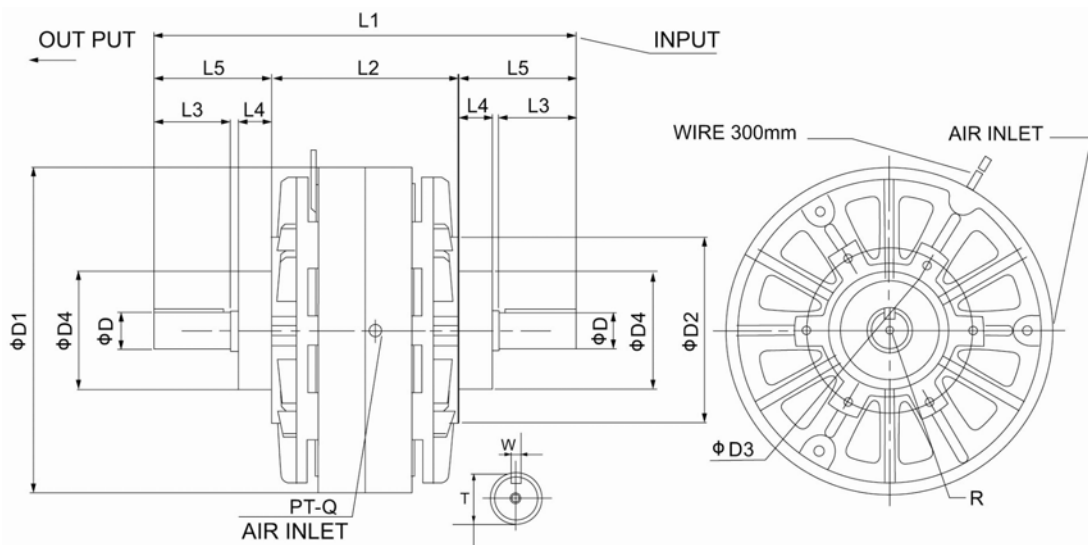
POWDER CLUTCH POC 012~200 series NIIKA®



Specification

Type	Fix torque kgfm(Nm)	Capability (75°C)			Inertial torque (kgm ²)		Compelling air-cooling concessional slide rate of work			Weight (kg)	Max. speed of Rotatin (r/min)	Weight of Magnetic Powder (g)
		Electric (A)	Electric Power (W)	(S)	INPUT	OUTPUT	Air pressure (pa)	Air volume (m3/min)	Ratio (W)			
POC-012	1.2(12)	0.94	22.5	0.10	1.34*10 ⁻³	4.90*10 ⁻⁴	3*10 ⁴	0.2	250	6	1,800	20
POC-025	2.5(25)	1.24	30	0.12	3.80*10 ⁻³	1.49*10 ⁻³	5*10 ⁴	0.4	380	11	1,800	33
POC-050	5(50)	2.15	51.5	0.13	9.50*10 ⁻³	4.80*10 ⁻³	1*10 ⁵	0.6	700	18.5	1,800	60
POC-100	10(100)	2.40	57.6	0.25	3.50*10 ⁻²	2.50*10 ⁻²	6*10 ⁴	1.1	1,100	37	1,800	140
POC-200	20(200)	2.70	64.8	0.37	9.15*10 ⁻²	6.89*10 ⁻²	5*10 ⁴	1.6	1,900	59	1,800	225

Size of appearance (mm)



Specification

Type	L1	L2	L3	L4	L5	D1	D2	D3	D4(G7)	Q	R		Axis body		
											Pathway	Depth	D(h7)	W(p7)	T(0-0.2)
POC-012	192	94	29	15	49	152	126	64	42	1/8	M4	8	15	5	17
POC-025	230	102	43	17	64	184	160	78	55	1/8	M5	10	20	5	22
POC-050	294	112	55	30	91	219	196	100	74	1/4	M6	12	25	7	28
POC-100	360	160	65	28	100	278	160	140	100	3/8	M10	20	30	7	33
POC-200	408	190	69	30	109	327	174	150	110	3/8	M10	20	35	10	38.5

We reserve the right of changing specification or size to our products