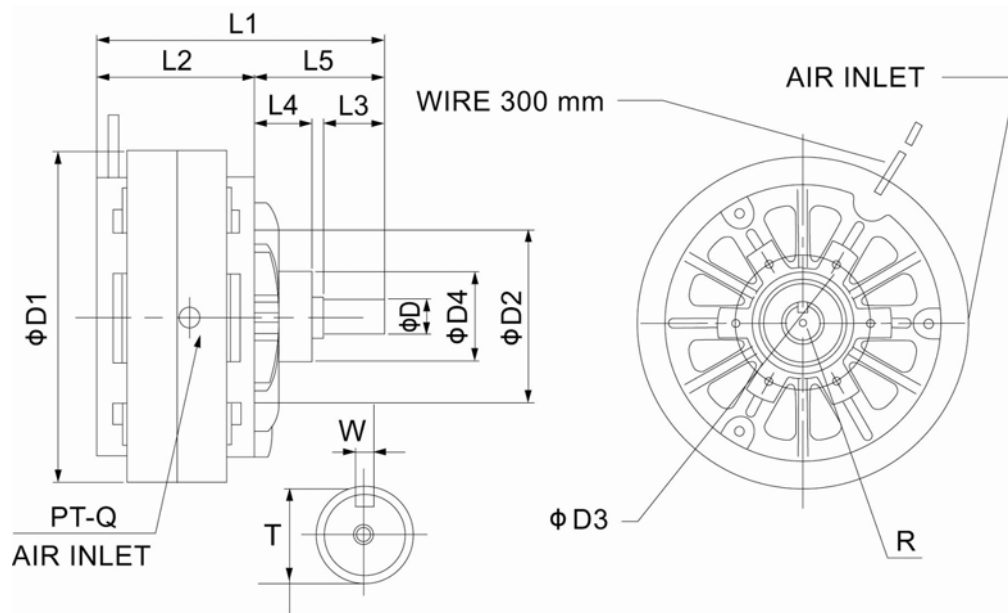




**Specification**

Type	Fix torque kgfm(Nm)	Capability (75°C)			Inertial torque (kgm <sup>2</sup> )	Compelling air-cooling concessional slide rate of work			Weight (kg)	Max. speed of Rotatin (r/min)	Weight of Magnetic Powder (g)
		Electric (A)	Electric Power (W)	(S)		Air pressure (pa)	Air volume (m3/min)	Ratio (W)			
POB-012	1.2(12)	0.94	22.5	0.10	1.34*10 <sup>-3</sup>	3*10 <sup>4</sup>	0.2	250	5.2	1,800	20
POB-025	2.5(25)	1.24	30	0.12	3.80*10 <sup>-3</sup>	5*10 <sup>4</sup>	0.4	380	9	1,800	33
POB-050	5(50)	2.15	51.5	0.13	9.50*10 <sup>-3</sup>	1*10 <sup>5</sup>	0.6	700	15.5	1,800	60
POB-100	10(100)	2.40	57.6	0.25	3.50*10 <sup>-2</sup>	6*10 <sup>4</sup>	1.1	1,100	34	1,800	140
POB-200	20(200)	2.70	64.8	0.12	9.15*10 <sup>-2</sup>	5*10 <sup>4</sup>	1.6	1,900	53	1,800	225

Size of appearance (mm)



**Specification**

Type	L1	L2	L3	L4	L5	D1	D2	D3	D4(G7)	Q	R		Axis body		
											Pathway	Depth	D(h7)	W(p7)	T(0-0.2)
POB-012	132	83	29	15	49	152	126	64	42	1/8	M4	8	15	5	17
POB-025	155	91	43	17	64	184	160	78	55	1/8	M5	10	20	5	22
POB-050	193	102	55	30	91	219	196	100	74	1/4	M6	12	25	7	28
POB-100	239	139	65	28	100	278	160	140	100	3/8	M10	20	30	7	33
POB-200	278	169	69	30	109	327	174	150	110	3/8	M10	20	35	10	38.5

We reserve the right of changing specification or size to our products