

UNLESS OTHERWISE SPECIFIED
 ALL DIAMETERS TO BE
 CONCENTRIC WITHIN 0.003
 REMOVE ALL BURRS
 & SHARP EDGES

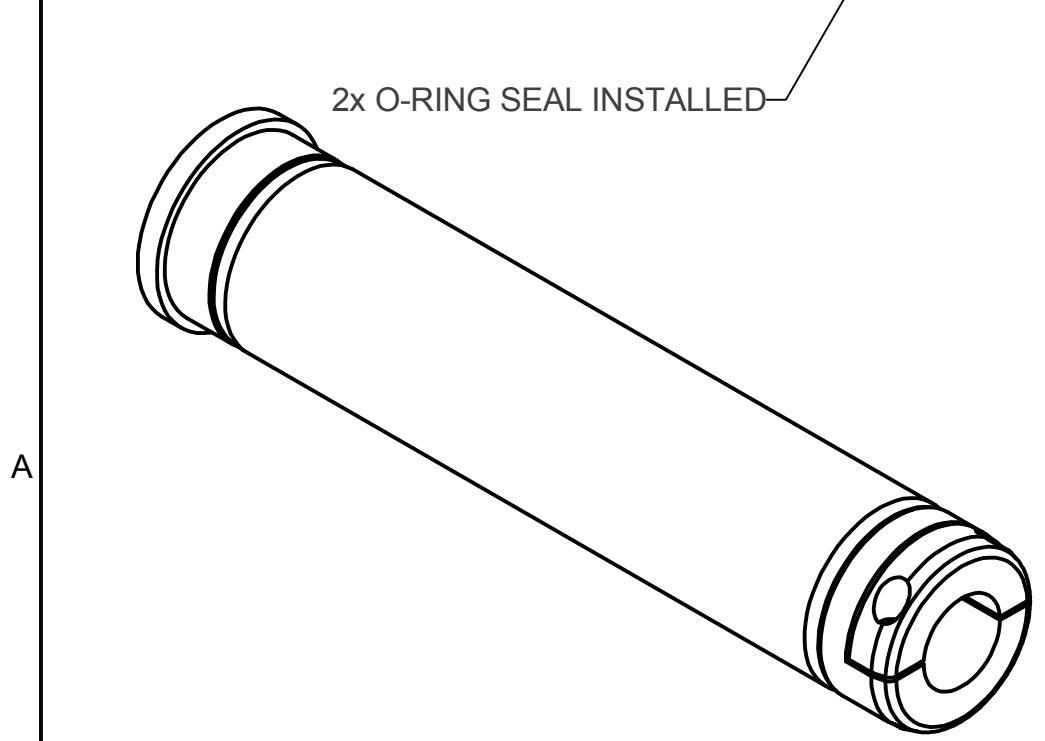
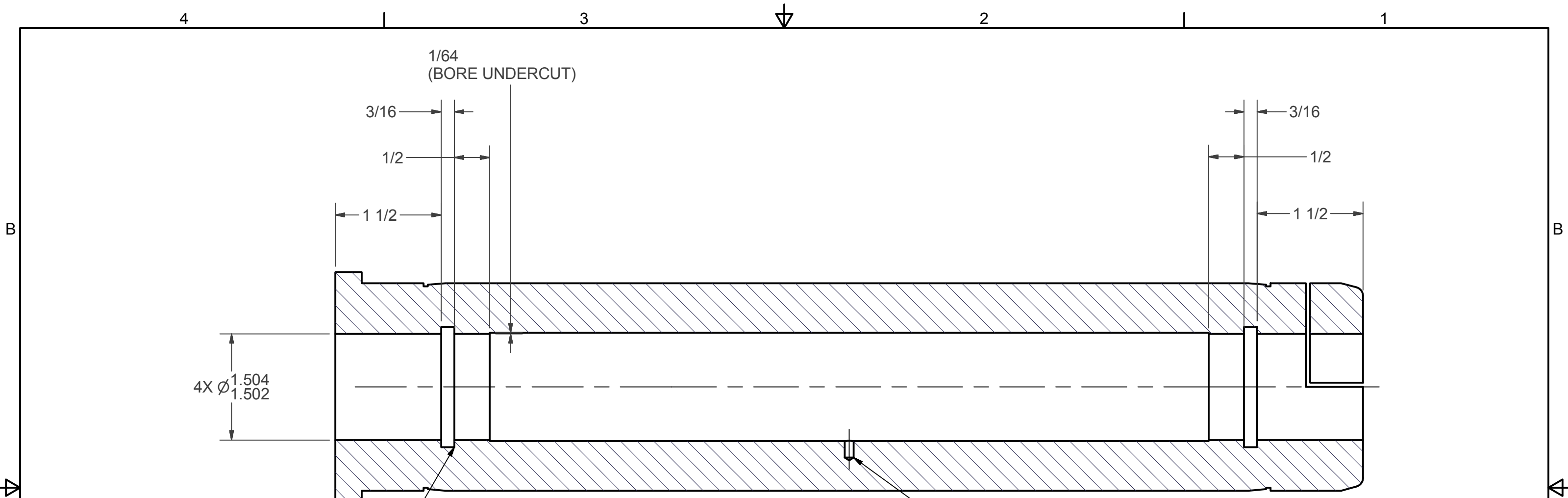
JRC WEB ACCESSORIES
 46 PASSAIC AVENUE FAIRFIELD, NJ 07004

TITLE
CHUCK - AIR - JRC - FOR 3" ID CORES

CUSTOMER	DIMENSION	TOLERANCE ±
FINISH	FRACTIONAL	1/64
VARIOUS	ANGULAR	0.5°
MATERIAL	X.XX	0.010
	X.XXX	0.005
REFERENCE DRAWING	X.XXXX	0.0005

SIZE	DATE	DWG NO	REV
B	2/2/2010	Q-4228	
SCALE	DRAWN	SHEET 1	OF 2

125 ✓



2x O-RING SEAL INSTALLED

SECTION A-A
SCALE 3 / 4

AIR LINE TO BLADDER

UNLESS OTHERWISE SPECIFIED		JRC WEB ACCESSORIES	
ALL DIAMETERS TO BE CONCENTRIC WITHIN 0.003		46 PASSAIC AVENUE FAIRFIELD, NJ 07004	
REMOVE ALL BURRS & SHARP EDGES	125 ✓	TITLE	
		CHUCK - AIR - JRC - FOR 3" ID CORES	
CUSTOMER	DIMENSION	TOLERANCE ±	REV
FINISH VARIOUS	FRACTIONAL	1/64	
MATERIAL	ANGULAR	0.5°	
REFERENCE DRAWING	X.XX	0.010	
	X.XXX	0.005	
	X.XXXX	0.0005	
SIZE		DATE	DWG NO
B		2/2/2010	Q-4228
SCALE		DRAWN	SHEET 2 OF 2