

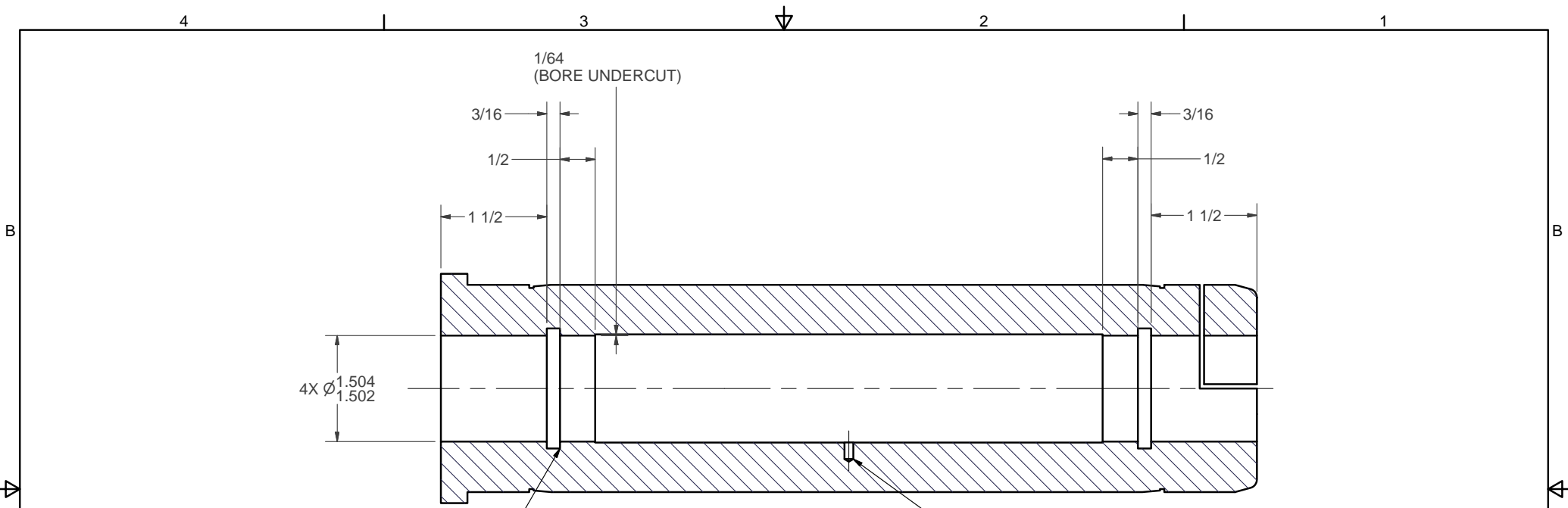
**UNLESS OTHERWISE SPECIFIED**  
 ALL DIAMETERS TO BE  
 CONCENTRIC WITHIN 0.003  
 REMOVE ALL BURRS  
 & SHARP EDGES

**JRC WEB ACCESSORIES**  
 46 PASSAIC AVENUE FAIRFIELD, NJ 07004

TITLE  
**CHUCK - AIR - JRC - FOR 3" ID CORES**

CUSTOMER	DIMENSION	TOLERANCE ±
FINISH	FRACTIONAL	1/64
VARIOUS	ANGULAR	0.5°
MATERIAL	X.XX	0.010
	X.XXX	0.005
REFERENCE DRAWING	X.XXXX	0.0005

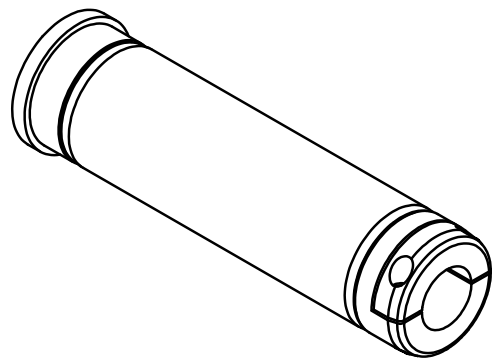
SIZE	DATE	DWG NO	REV
B		Q-3664	
SCALE	DRAWN	SHEET 1 OF 2	



2x O-RING SEAL INSTALLED

SECTION A-A  
SCALE 3 / 4

AIR LINE TO BLADDER



**UNLESS OTHERWISE SPECIFIED**  
 ALL DIAMETERS TO BE  
 CONCENTRIC WITHIN 0.003  
 REMOVE ALL BURRS  
 & SHARP EDGES

**JRC WEB ACCESSORIES**  
 46 PASSAIC AVENUE FAIRFIELD, NJ 07004

TITLE  
**CHUCK - AIR - JRC - FOR 3" ID CORES**

CUSTOMER	DIMENSION	TOLERANCE ±
FINISH	FRACTIONAL	1/64
VARIOUS	ANGULAR	0.5°
MATERIAL	X.XX	0.010
	X.XXX	0.005
REFERENCE DRAWING	X.XXXX	0.0005

SIZE	DATE	DWG NO	REV
B		Q-3664	
SCALE	DRAWN	SHEET 2	OF 2

125 ✓