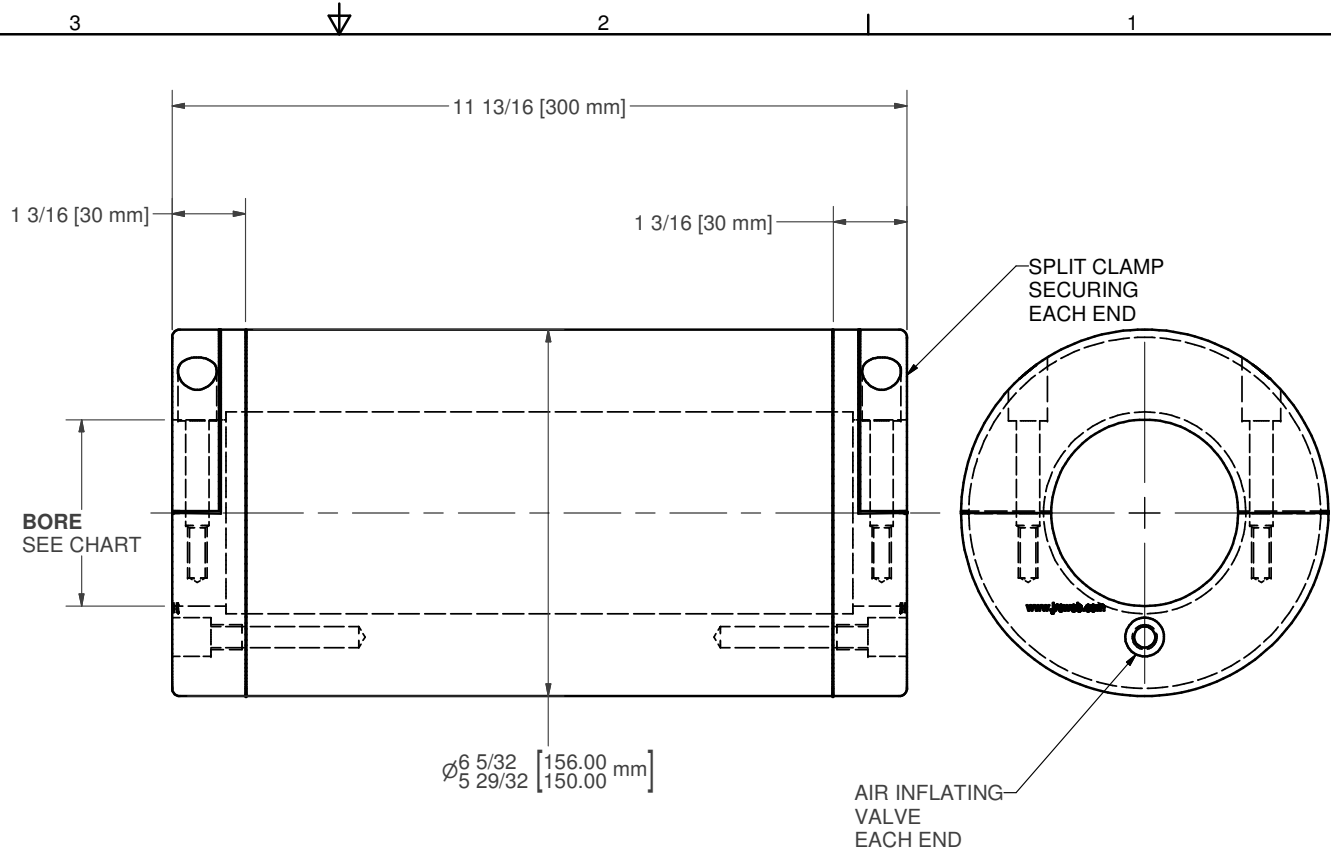


Part #	INCH		METRIC		FITS OVER SHAFT	
	BORE ^{+0.002} _{-0.000}		BORE ^{+0.05} _{-0.00}		OUTER DIA.	STYLE
Q-3279-001	0.752		19.10		0.750	SOLID
Q-3279-002	0.877		22.28		0.875	SOLID
Q-3279-003	1.002		25.45		1.000	SOLID
Q-3279-004	1.127		28.63		1.125	SOLID
Q-3279-005	1.252		31.80		1.250	SOLID
Q-3279-006	1.377		34.98		1.375	SOLID
Q-3279-007	1.502		38.15		1.500	SOLID
Q-3279-008	1.627		41.33		1.625	SOLID
Q-3279-009	1.752		44.50		1.750	SOLID
Q-3279-010	1.877		47.68		1.875	SOLID
Q-3279-011	2.002		50.85		2.000	SOLID
Q-3279-012	2.127		54.03		2.125	SOLID
Q-3279-013	2.252		57.20		2.250	SOLID
Q-3279-014	2.377		60.38		2.375	SOLID
Q-3279-015	2.502		63.55		2.500	SOLID
Q-3279-016	2.627		66.73		2.625	SOLID
Q-3279-017	2.752		69.90		2.750	SOLID
Q-3279-018	2.877		73.08		2.875	SOLID
Q-3279-019	2.953		75.01		2.951	SOLID
Q-3279-020	3.002		76.25		3.000	SOLID
Q-3279-021	3.127		79.43		3.125	SOLID
Q-3279-022	3.252		82.60		3.250	SOLID
Q-3279-023	3.377		85.78		3.375	SOLID
Q-3279-024	3.502		88.95		3.500	SOLID
Q-3279-025	2.881		73.18		2.875	LUG / BUTTON
Q-3279-026	2.953		75.01		2.937	LUG / BUTTON
Q-3279-027	2.990		75.95		2.937	LEAF
Q-3279-028			0.00			
Q-3279-029			0.00			



NOTES:
 1. APPROXIMATE WEIGHT: 20# OR 9kg EACH
 2. AIR INFLATING GUN INCLUDED WITH EACH NEW ORDER

SEE ON WEBSITE AT:
http://www.jrcweb.com/Thru_Bore_Leaf_Style_Air_Adapter_Chuck_p/nec-001%20-fslash-%20nec-002.htm

UNLESS OTHERWISE SPECIFIED		JRC WEB ACCESSORIES	
ALL DIAMETERS TO BE CONCENTRIC WITHIN 0.003		46 PASSAIC AVENUE FAIRFIELD, NJ 07004	
REMOVE ALL BURRS & SHARP EDGES		TITLE	
125 ✓		AIR CHUCK - LEAF TYPE - 6" ID CORES - NEC SERIES	
CUSTOMER	DIMENSION	DATE	REV
FINISH	FRACTIONAL	DWG NO	
MATERIAL	ANGULAR	Q-3279	
REFERENCE DRAWING	X.XX	SCALE	
NEC-002-6-300	X.XXX	DRAWN	SHEET 1 OF 1
	X.XXXX		