

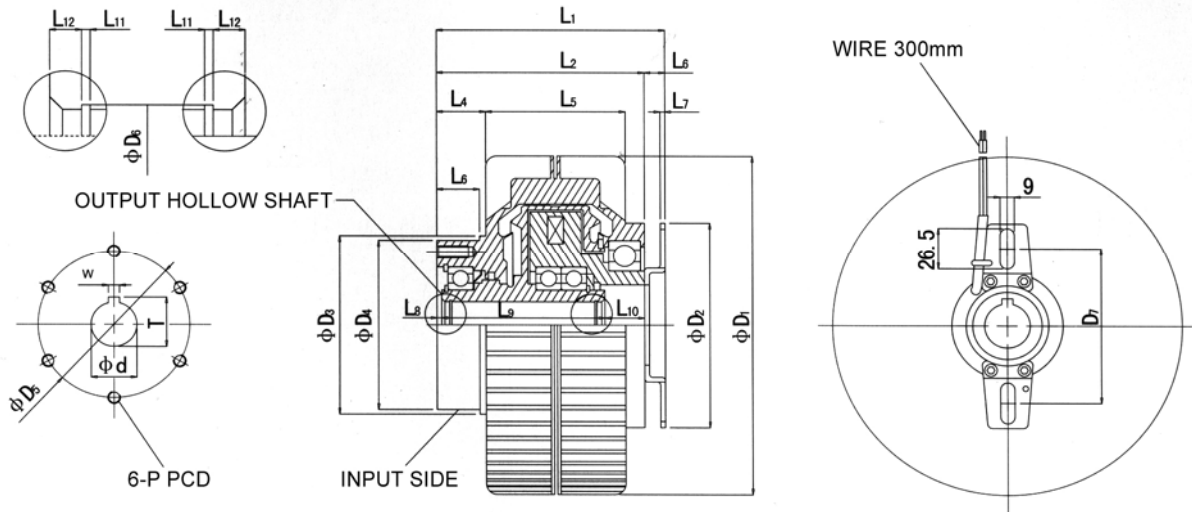
Hollow spindle magnetic powder clutch



Specification

Type	Fix torque kgfm (Nm)	Capability (75°C)			Inertial torque (kgm ²)		Weight (kg)	Max. speed of Rotation (r/min)	Weight of Magnetic Powder (g)
		Electric (A)	Electric Power (W)	(S)					
PHC-050	5(50)	1.4	33.6	0.09	2.6×10^{-2}	5.8×10^{-3}	11	1,800	60
PHC-100	10(100)	2.0	48	0.14	7.25×10^{-2}	1.6×10^{-2}	19	1,800	117

Size of appearance (mm)



Specification

Type	L1	L2	L3	L4	L5	L6	L7	L8	L9	L10	L11	L12	D1	D2	D3	D4 (G7)	D5	D6	D7	P		Axis body		
																				Pathway	Depth	D (h7)	W (p7)	T (0-0.2)
PHC-050	144	131	10	31	88	20	3	3	103	25	1.3	5	220	121	115	110	95	31.4	100.5	M8	20	30	7	33
PHC-100	171	158	10	40	106	30	3	4	112	42	1.65	5	275	142	130	125	100	37	108.5	M10	25	35	10	38.5

We reserve the right of changing specification or size to our products