

FLOW 50

Pillow block and Flange chucks

NIIKA®

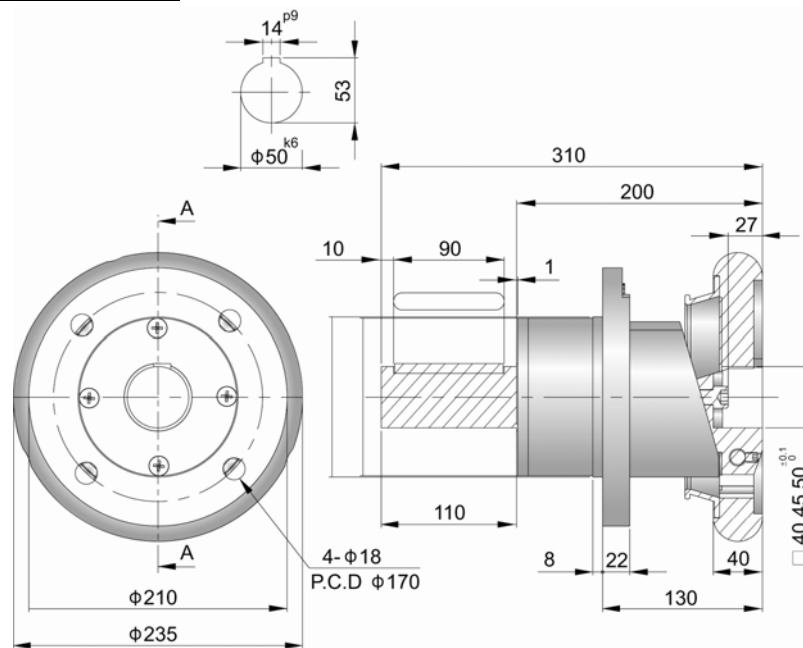
Size	FLOW 50
Maximum load	2800 KG
Maximum torque allowed	110 kg m
Standard square bar size	40 45 50 mm
Unit Weight	53 kg



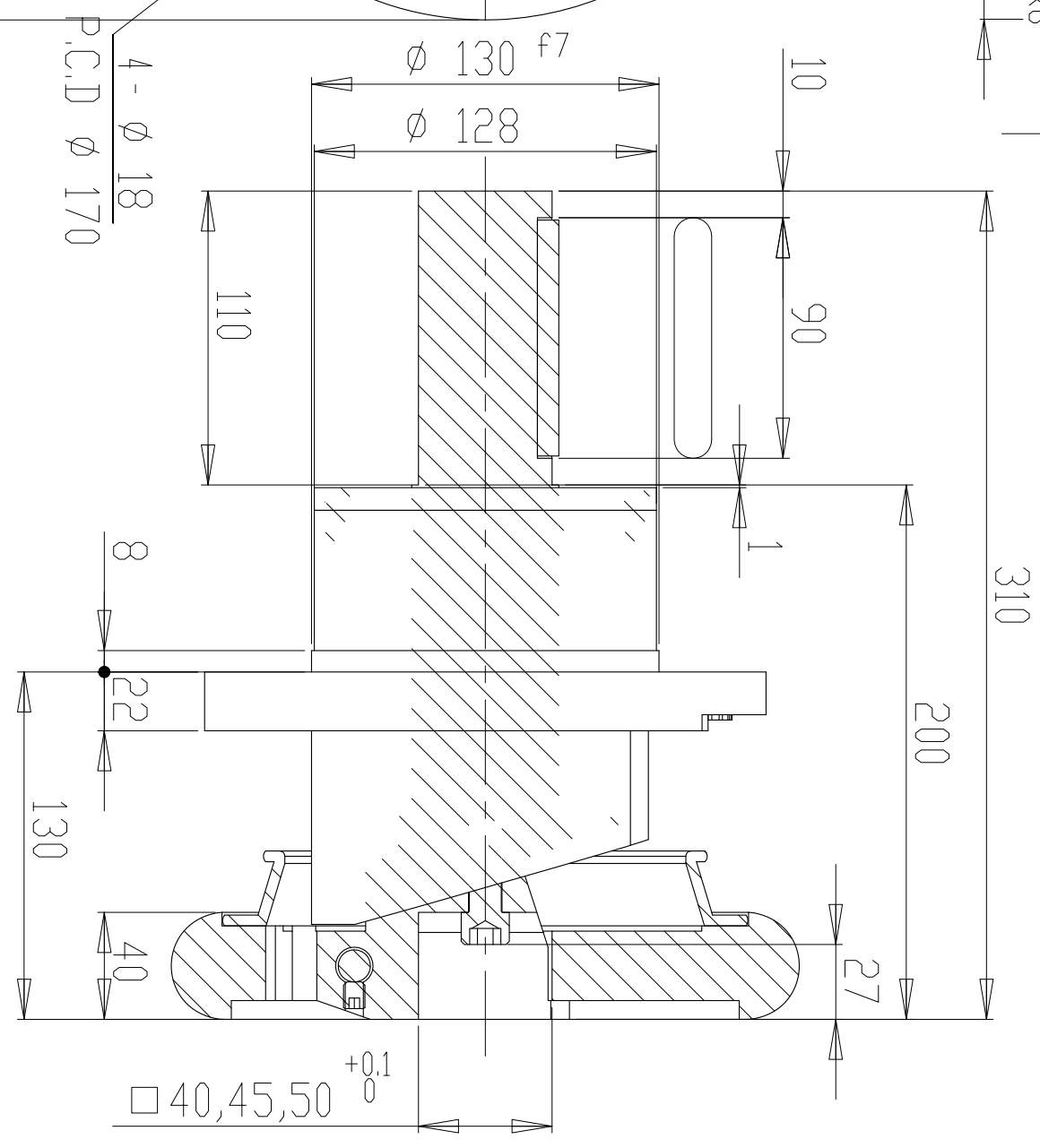
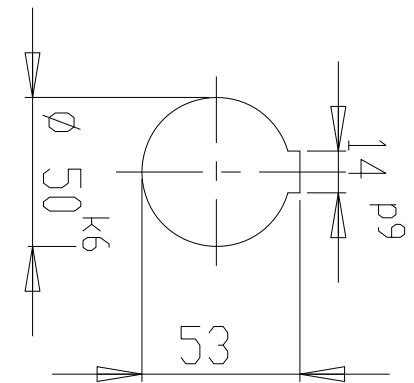
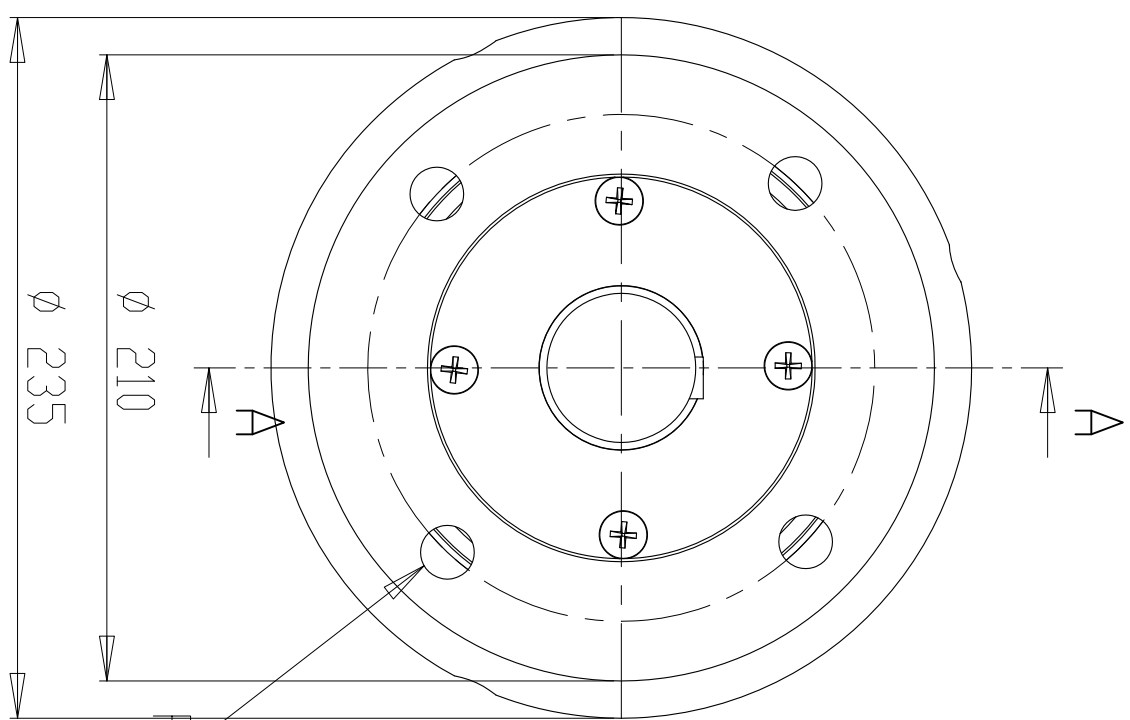
Our standard shaft diameter is Ø28 length 70 MM and can modify to meet your requirement

APPROXIMATE DIMENSION

FLOW 50



NIIKA Limited reserves the right to modify or change the design without prior notice.



P.C.D $\varnothing 170$
4 - $\varnothing 18$