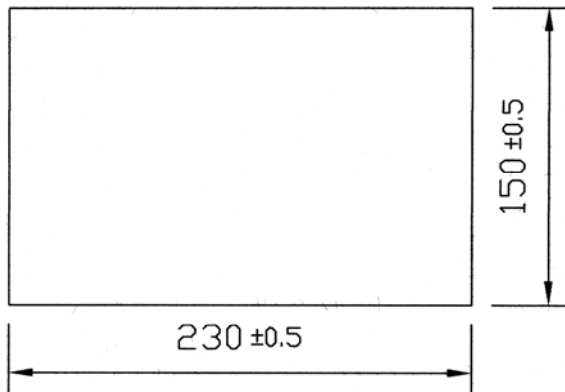
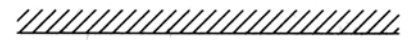


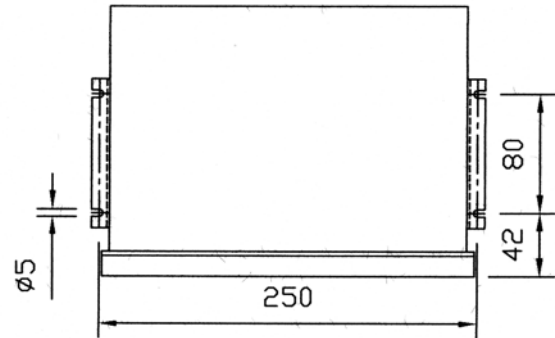
The setting size of vents on the plate



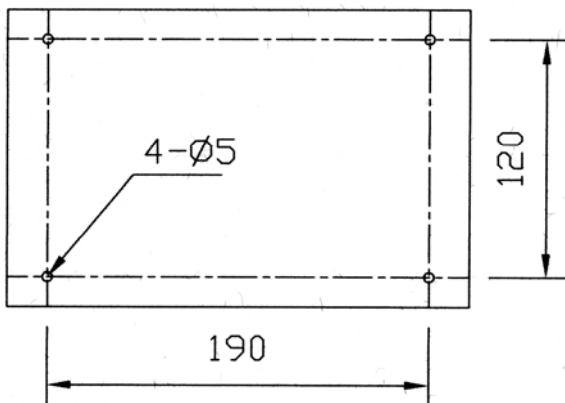
Setting size of both bottom sides



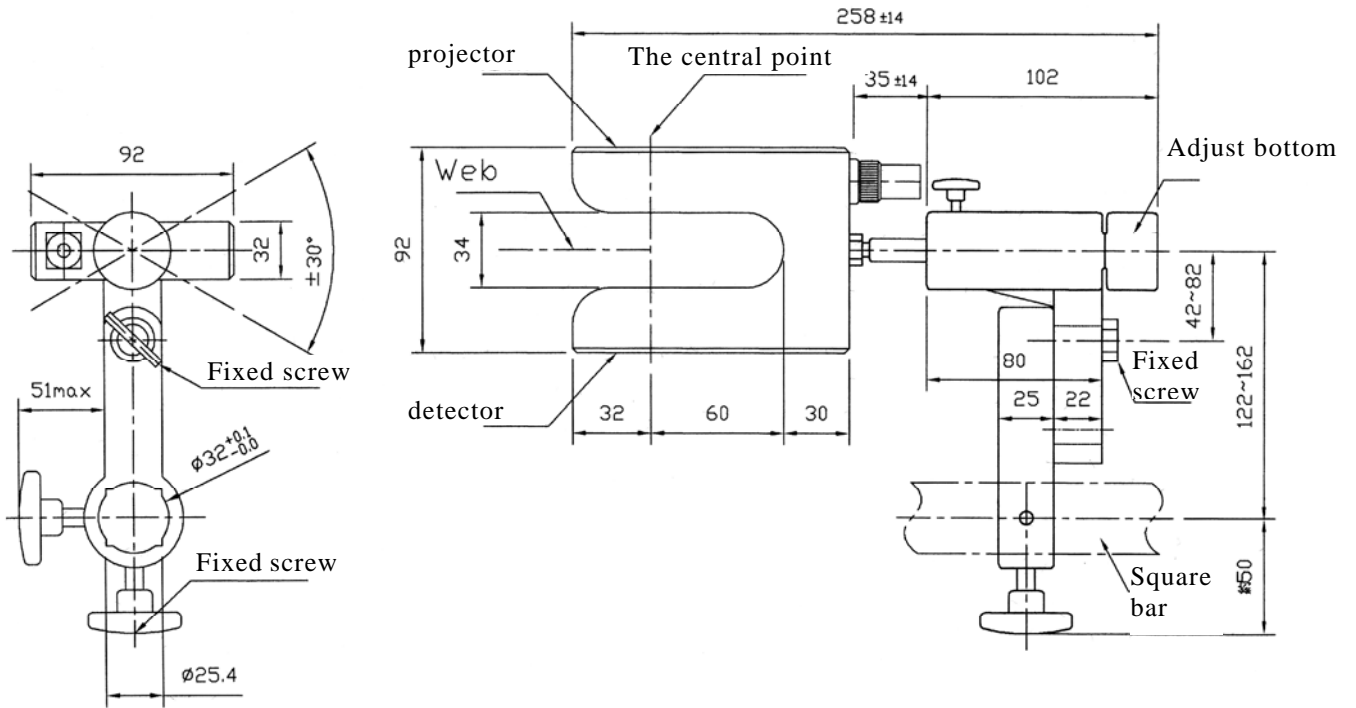
The distance of the well is 40mm



The setting size of the rubber sole



THE APPEARANCE OF THE MONITOR ES99N P11



THE APPEARANCE OF DRIVER KC 150-20 P11

