

DBH 105

DISC BRAKES CALIPER air applied spring released



The **DBH** is an economic caliper brake, which offers a wide variety of thrusters and features.

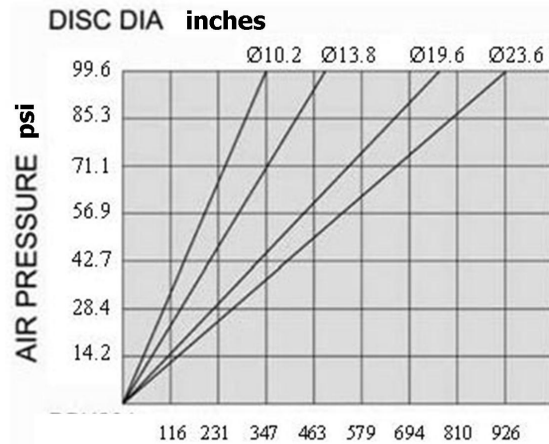
Easy Pad Change: The pads can be changed in a couple of minutes.

Asbestos Free Pads : The standard pads fitted are asbestos free.

Brake Discs: The DBH 105 is designed for disc thickness 0.394 in [10mm] and OD over 7.874 in [200mm]

Torque Formula : Braking Torque (lb ft) =Braking Force (lb) x Effective Disc Radius (Actual)(ft)

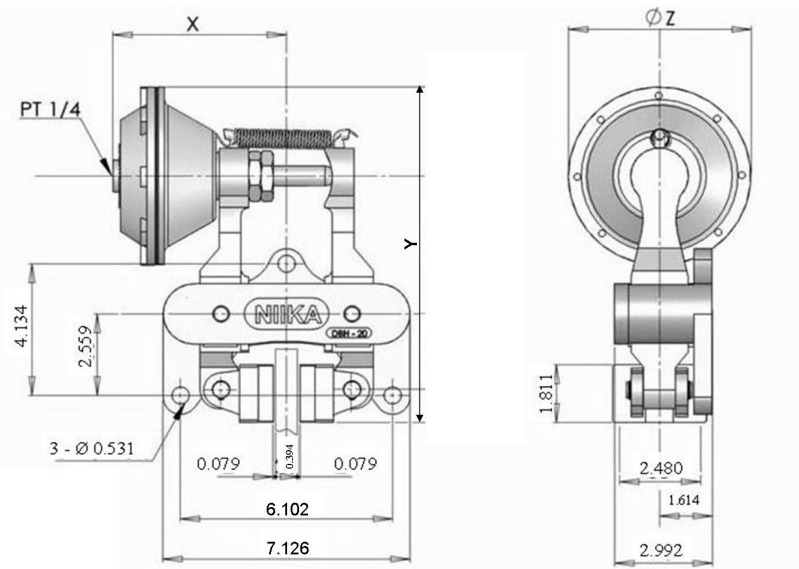
| | |
|------------------------|---------------------------------------|
| Size | DBH 105 |
| Maximum under overload | 99.563 psi [7 kg/cm ²] |
| Compression ratio | 1.83 |
| Disc thickness | 0.394 in [10 mm] |
| Disc O. D. | 7.874 in [200 mm] |
| Unit Weight | 19.8 lb [8.5 kg] |



Every **horizontal** caliper separate into the left and right type. Please indicate left or right side type when order.

APPROXIMATE DIMENSION

| Size | X | Y | φZ |
|---------|----------------------|-----------------------|----------------------|
| DBH 105 | 5.984 in [152 mm] | 11.220 in [285 mm] | 6.968 in [177 mm] |



Warning: The initial torque on new units can be 30% to 50% less than the catalogue value until the friction facing and friction disc are lapped or worn in.