

**UNLESS OTHERWISE SPECIFIED**  
 ALL DIAMETERS TO BE  
 CONCENTRIC WITHIN 0.003  
 REMOVE ALL BURRS  
 & SHARP EDGES

**JRC WEB ACCESSORIES**  
 46 PASSAIC AVENUE FAIRFIELD, NJ 07004

TITLE  
**MECHANICAL CHUCK ASSEMBLY**

CUSTOMER	DIMENSION	TOLERANCE ±
FINISH	FRACTIONAL	1/64
VARIOUS	ANGULAR	0.5°
MATERIAL	X.XX	0.010
	X.XXX	0.005
REFERENCE DRAWING	X.XXXX	0.0005

SIZE	DATE	DWG NO	REV
B		<b>B-6655</b>	
SCALE	DRAWN	SHEET 1	OF 2

4

3

2

1

4

3

2

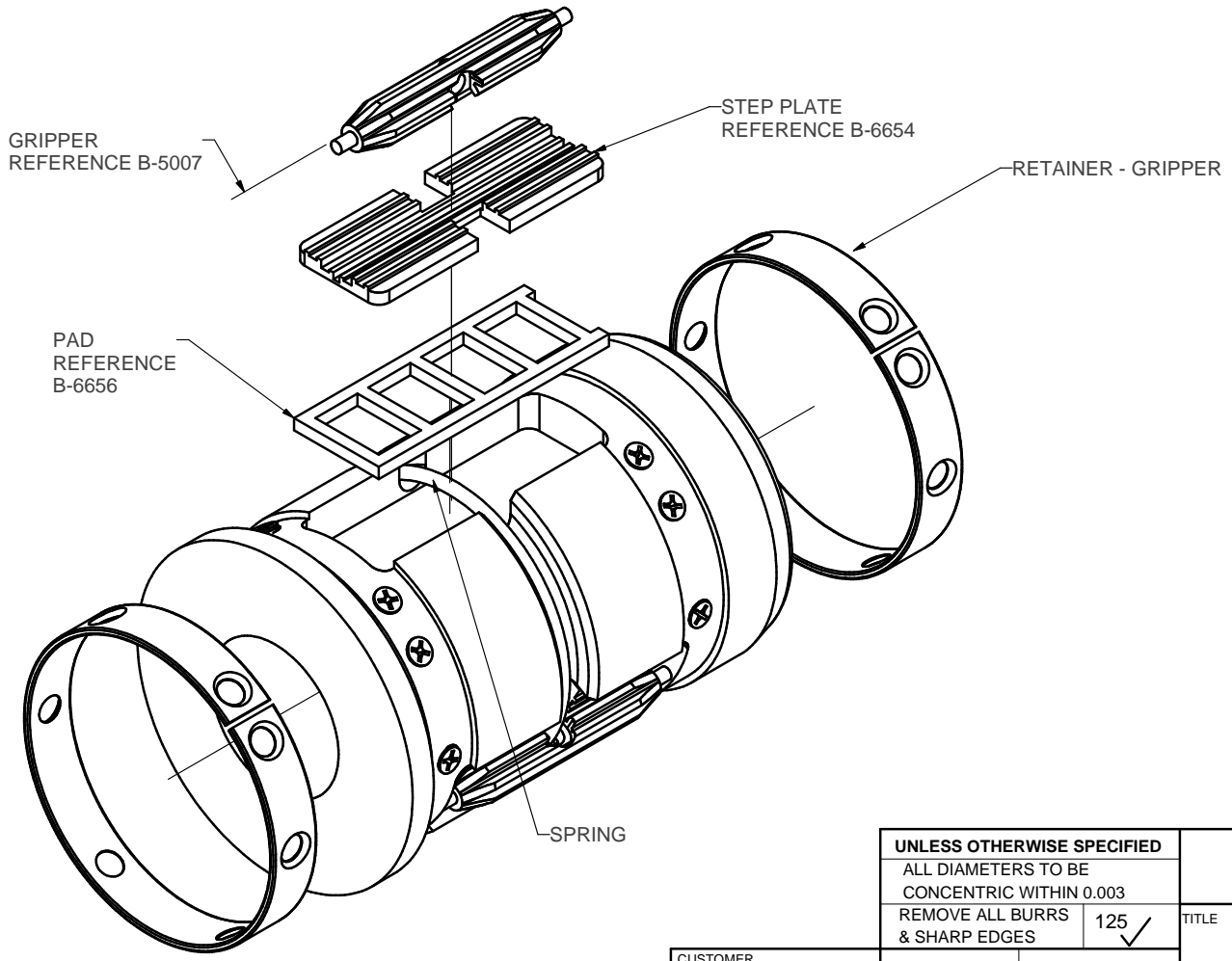
1

B

B

A

A



**UNLESS OTHERWISE SPECIFIED**  
 ALL DIAMETERS TO BE  
 CONCENTRIC WITHIN 0.003  
 REMOVE ALL BURRS & SHARP EDGES

**JRC WEB ACCESSORIES**  
 46 PASSAIC AVENUE FAIRFIELD, NJ 07004

TITLE  
**MECHANICAL CHUCK ASSEMBLY**

CUSTOMER	DIMENSION	TOLERANCE ±
FINISH	FRACTIONAL	1/64
VARIOUS	ANGULAR	0.5°
MATERIAL	X.XX	0.010
	X.XXX	0.005
REFERENCE DRAWING	X.XXXX	0.0005

SIZE	DATE	DWG NO	REV
B		<b>B-6655</b>	

SCALE DRAWN SHEET 2 OF 2